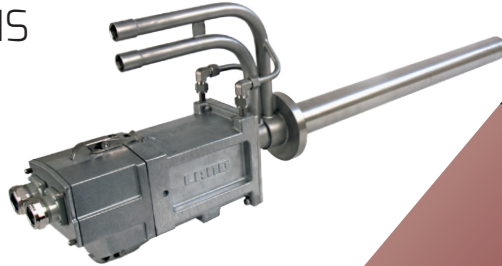


NIR-BORESCOPE

THERMAL IMAGING SOLUTIONS



① 600 to 1800 °C / 1112 to 3272 °F



LAND
AMETEK[®]
PROCESS & ANALYTICAL INSTRUMENTS



QUALITY CUSTOMER SOLUTIONS

NIR-BORESCOPE

THERMAL IMAGING SOLUTIONS

AMETEK LAND HAS BEEN BUILDING PRECISION MEASURING EQUIPMENT SINCE 1947.

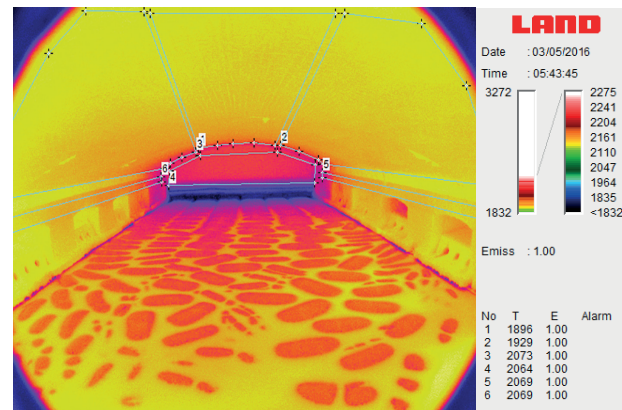
We are specialists in non-contact temperature measurement and combustion monitoring with our products finding applications across diverse industries such as steel and glass making, power generation and cement manufacture.

As part of AMETEK Process & Analytical Instruments Division since 2006, our customers benefit from the worldwide AMETEK sales and service team.

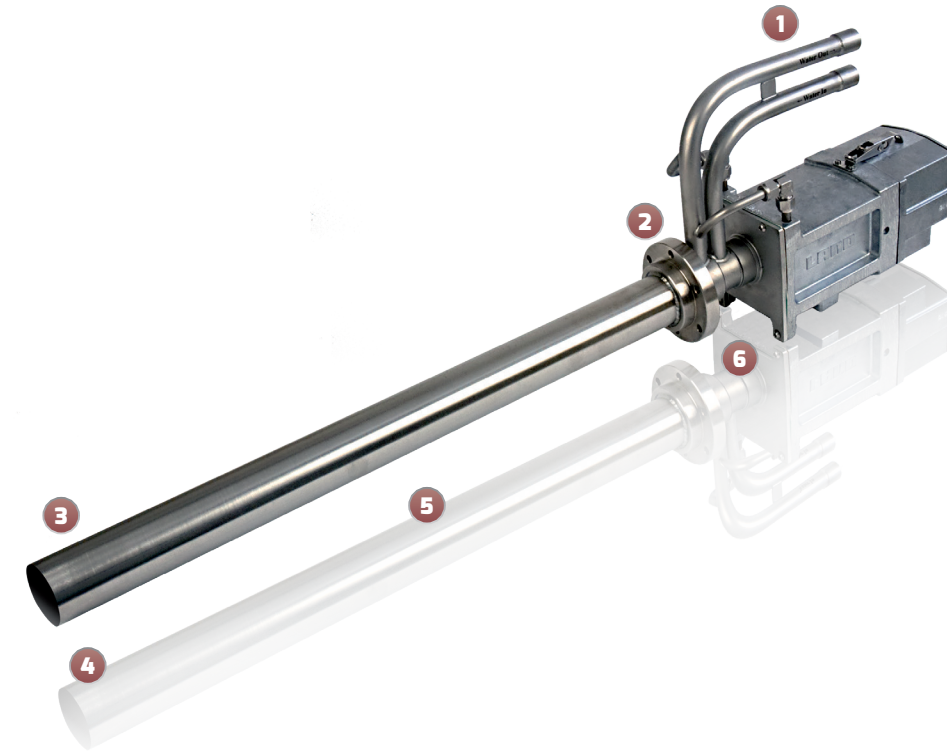
The NIR-BoreScope (NIR-B) is a short wavelength radiometric infrared boreScope imaging camera, designed to produce high definition (656 x 494 pixel) thermal images, along with providing accurate temperature measurements from any selected points in the image. The camera can measure temperatures in the range 600 to 1800°C (1112 to 3272°F) and is suitable for a wide range of furnace interior applications.

With the NIR-BoreScope it is possible to use the proven technology of NIR Thermal Imager to accurately profile the temperature of the entire furnace with only a small opening in the wall. Thermal imaging inside refractory lined furnaces, boilers and glass melt tanks normally requires the plant operator to cut large openings in the refractory to enable viewing of the critical area. This can cause significant wasted energy from heatloss and can be difficult to keep the opening free from debris. The NIR-B has a 44° or 90° viewing angle, through a narrow opening to overcome this.

The NIR-BoreScope offers significant advantages over the traditional methods of furnace monitoring. The NIR-B offers continuous, labour free monitoring whereas manual visual inspection can take hours to complete and is not continuous. A visual camera does not provide a temperature reading like the NIR-BoreScope. The tip thermometer allows for the NIR-B to alarm when the temperature rises above safe levels



SPECIFICATION & DESIGN



1: HIGH PERFORMANCE WATER COOLING SYSTEM

The low water flow requirements for our cooling systems, even in the highest temperature furnaces, equal low running costs

2: RANGE OF MOUNTING OPTIONS

The most common mounting options available to ensure simple installation

3: THERMOCOUPLE AT NIR-B TIP

Giving the operator an alarm for removing the instrument preventing damage if maximum temperatures are exceeded

4: VIEWING ANGLE

44° or 90° angle provides full furnace or tank internal thermal view. 656 x 494 resolution gives 324,000 data points

5: PROBE LENGTHS

The range of the probe lengths create the best fit for every installation

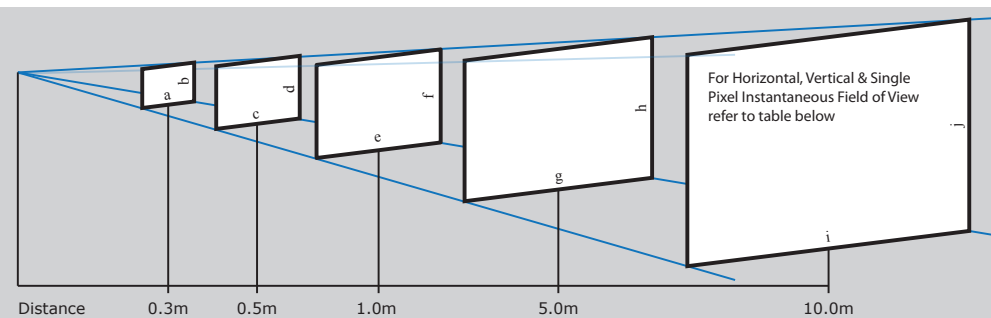
6: INTEGRATED AIR PURGE

Our air purge design maintains a dust-free optical system while consuming minimal instrument air

TYPICAL APPLICATIONS

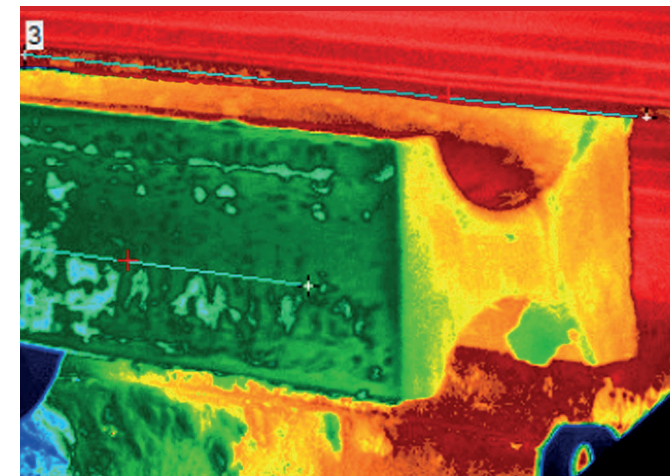
Reheat Furnace	Glass Melt Tanks
Reformer Tube Furnaces	Cement Kilns
Coal Fired Power Boilers	Biomass Boilers

FIELD OF VIEW LENS OPTION



	0.3m			0.5m			1.0m			5.0m			10.0m		
	a	b	IFOV	c	d	IFOV	e	f	IFOV	g	h	IFOV	i	j	IFOV
44°	0.25m	0.19m	0.35mm	0.4m	0.3m	0.59mm	0.81m	0.61m	1.17mm	4.0m	3.0m	5.85mm	8.1m	6.0m	11.7mm
90°	0.60m	0.45m	0.72mm	1.0m	0.75m	1.2mm	2.00m	1.50m	2.4mm	10.0m	7.5m	12.0mm	20.0m	15.0m	23.9mm

VIEW OF BILLET IN A REHEAT FURNACE



FEATURES & BENEFITS

High temperature measurement accuracy - enables optimum process control using high definition temperature maps

Simple installation and ease of use - minimizes cost and complexity

Short wavelength sensor - low sensitivity to emissivity changes; can be used through glass or quartz view ports

Dedicated software - data points, areas of interest, automated alarms and long term data trending

24 Hour, 7 Day Monitoring - Shutterless operation guarantees accurate, reliable data with no blind time

Export License Free - rapid, hassle-free shipping

NIR-BOREScope

THERMAL IMAGING SOLUTIONS

SPECIFICATIONS

Measurement Range:	600 - 1000 °C / 1112 - 1832 °F 800 - 1400 °C / 1472 - 2552 °F 1000 - 1800 °C / 1832 - 3272 °F
Spectral Response:	0.78 to 1.1 µm
Frame Rate:	30 fps (Gigabit Ethernet)
Image Pixels:	656 x 494
Accuracy:	1%
Sealing:	IP 65 / NEMA 4
Repeatability:	1 °C
Data Out:	Digital data over Gigabit Ethernet
Software:	Complete Land Image Processing Software (LIPS) package for Windows
Standard Accessories:	Power supply, cables, software, close up lenses, water cooled/purged mounting and tube
Field of View (Horizontal x Vertical):	44° x 33° or 90° x 67.5°
Instantaneous Field of View:	1.2 mrad (44°) / 2.4 mrad (90°)
Focus Range:	1000mm to infinity
Probe Length:	305, 610 or 915 mm (12", 24" or 36")
Probe Diameter:	61 mm (2.4")
Mountings:	Choice of 3" ANSI 150 RF Flange & Gasket or PN16 DN80 Flange & Gasket with a 12" standpipe
Dimensions:	254 x 560 x 810 mm* (* or 1120 or 1420 mm) 10" x 22" x 32" ** (** or 44" or 56")
Power Rating:	24 V dc, 3 watts
Weight:	15kg (for 24" variant)



AMETEK Land's AMECare Performance Services ensure peak performance and maximum return on investment over the life of your equipment.

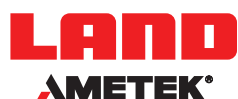
We will deliver this by:

- Proactively maintaining your equipment to maximize availability.
- Optimizing solutions to meet your unique applications.
- Enhancing user skills by providing access to product and application experts.

AMETEK Land's global service network provides unparalleled after-sales services to ensure you get the best performance and value from your AMETEK Land products. Our dedicated service centre teams and on-site engineers are trained to deliver the highest standard of commissioning, maintenance and after-sales support.

DISCOVER HOW OUR BROAD RANGE OF NON-CONTACT TEMPERATURE MEASUREMENT AND COMBUSTION & EMISSIONS PRODUCTS OFFER A SOLUTION FOR YOUR PROCESS

WWW.AMETEK-LAND.COM



www.ametek-land.com
land.enquiry@ametek.com

Land Instruments International
Stubley Lane, Dronfield
S18 1DJ
United Kingdom
Tel: +44 (0) 1246 417691

AMETEK Land China Service
Part A1 & A4, 2nd Floor Bldg. 1
No. 526 Fute 3rd Road East,
Pilot Free Trade Zone 200131
Shanghai, China
Tel: +86 21 5868 5111 ext 122

AMETEK Land - Americas
150 Freeport Road,
Pittsburgh, Pennsylvania, 15238
United States of America
Tel: +1 (412) 826 4444

AMETEK Land India Service
Divyasree N R Enclave, Block A,
4th Floor, Site No 1, EPIP Industrial Area
Whitefield, Bangalore- 560066
Karnataka, India
Tel: +91 - 80 67823240

For a full list of international offices, please visit our website www.ametek-land.com



APPLIES IN THE UK



Certificate No. CC-2041
APPLIES IN INDIA



APPLIES IN THE US



Copyright © 2008-18 LAND Instruments International.
Continuous product development may make it necessary to change these details without notice.

MARCOM0390 NIR-B General Rev 3