

LAND

IQ series



Rugged, Compact, Accurate. High Temperature Spot Thermometers

The Land IQ series are compact, rugged, industrial thermometers designed to meet the needs of high temperature process control applications.

IQ series thermometers feature an all metal design with integrated water cooling, air purge and screw terminal connections to facilitate simple and cost effective operation.

Thermometers can be configured using any permutation of four wavelengths, four feature levels and four focus distances to suit your requirements.

Accessories

- Tripod Mount
- Dual & Single Axis mounting brackets
- Power Supply
- Digital Indicator
- PC Setup Software (free issue with Enhanced and Premium versions only)

Features & Benefits

- 4 temperature/wavelength variants - *Configurable to suit your application*
- Rugged all metal design - *Suitable for harsh industrial environments*
- Integrated air purge and water-cooling - *Protects instrument under all conditions*
- Plug and Play four wire operation - *Zero configuration*
- Advanced signal processing - *Simplifies complex process control applications*
- Peer-to-peer & multidrop RS485 digital interface - *Digital process control*
- 2 x Relay Outputs - *Alarm Process temperature and sensor over temperature*
- Compact Size - *Ideal for tight locations*
- Simple screw terminal connection - *Simplifies installation. Use existing wiring.*

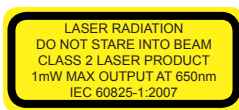
LAND

Land Instruments International Ltd • Dronfield S18 1DJ • England
Email: land.infrared@ametek.co.uk • www.landinst.com • Tel: +44 (0) 1246 417691 • Fax: +44 (0) 1246 410585

AMETEK Land, Inc. • 150 Freeport Rd • Pittsburgh, PA 15238 • U.S.A.
Email: irsales@ametek.com • www.ametek-land.com • Tel: +1 (412) 826 4444 • Fax: +1 (412) 826 4460

For a full list of international offices, please visit www.landinst.com

Non-Contact Temperature Measurement Solutions



LABORATORY
ACCREDITATION
BUREAU
ACCREDITED
ISO/IEC 17025:2005

REGISTERED
ISO 9001
MANAGEMENT SYSTEM

An **AMETEK** Company

Applies in the UK

Applies in the USA

Specifications

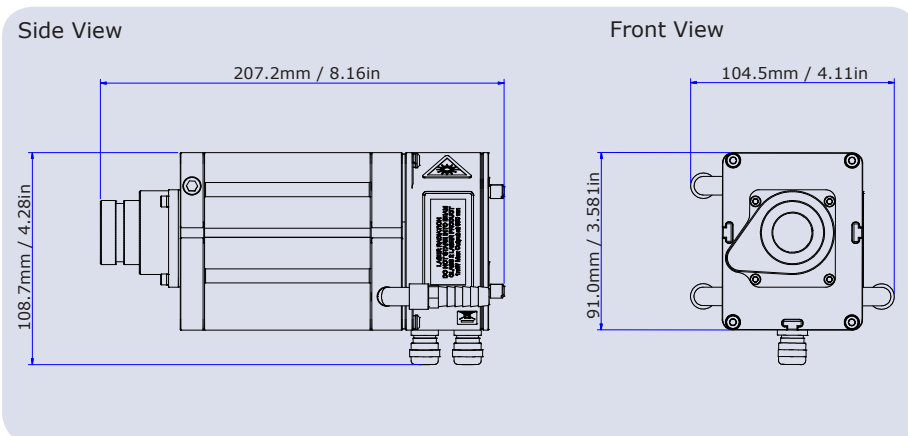
Model Range	IQ1	IQ2	IQ5	IQR
Temperature Range	1022 to 3182°F 550 to 1750°C	482 to 2372°F 250 to 1300°C	392 to 2012°F 200 to 1100°C	1292 to 3182°F 700 to 1750°C
Spectral Response	1μm	1.6μm	5μm	1μm Ratio
Field of View (90%)	110:1	110:1	60:1	110:1
Response Time	10ms	10ms	50ms	10ms
Accuracy	0.3%+1°C	2°C	0.35%+1°C	0.6%+1.5°C
Sighting	Laser defining Optical Axis (Option)			
Ambient Limit	32 to 158°F (Operating)			
EMC	EN 61326			
Sealing	IP65 / NEMA 4X			
Power Supply	18 to 30Vdc			

Ordering Information

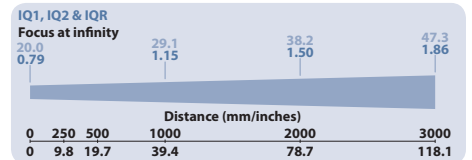
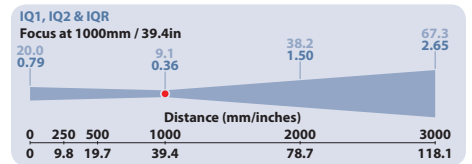
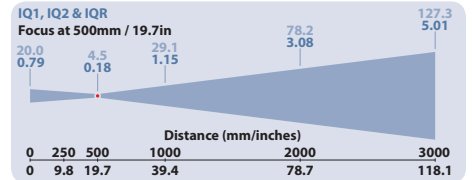
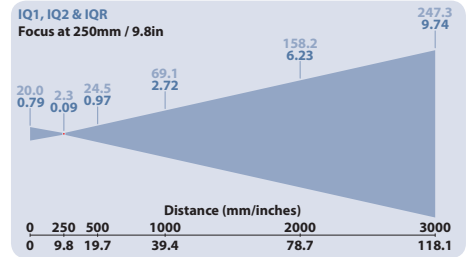
IQ	1	S	500				
Series Name	Wavelength			Model		Focus Distance	
	1	1.0μm	B	Basic	250	250mm / 10in	
	2	1.6μm	S	Standard	500	500mm / 20in	
	5	5.0μm	E	Enhanced	1000	1000mm / 40in	
	R	1μm Ratio	P	Premium	Infinity	Infinity	

Feature	B	S	E	P
Rugged All Metal Design (IP65)	•	•	•	•
Integrated Air Purge And Water Cooling	•	•	•	•
Simple Screw Terminal Connection	•	•	•	•
Emissivity Compensated 4-20mA output	•	•	•	•
Adjustable Emissivity (0.1 To 1.0)	•	•	•	•
Factory Selectable Focus	•	•	•	•
Laser Alignment		•	•	•
Peer-To-Peer & Multidrop RS485 Digital Interface			•	•
Advanced Signal Processing			•	•
2 x Alarm Relays			•	•
User Selectable Focus				•

Dimensions



IQ1, IQ2, IQR FOV



IQ5 FOV

